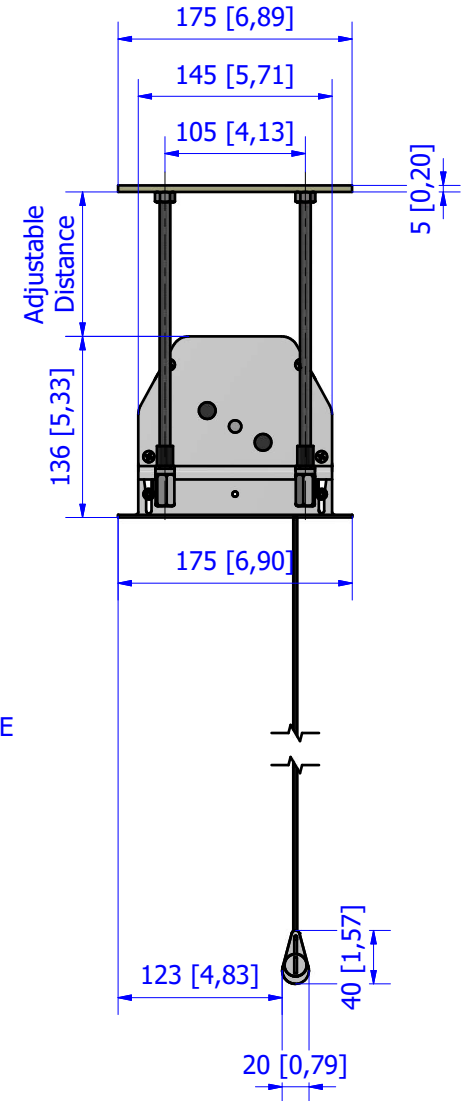


VIEWING SIDE



Cut out for false ceiling; 3080 x 155mm

Dimensions are in mm [inch] According on the required fabric, a welding line may be present Please notice that all dimensions are subject to conventional industry tollerances		Weight: 25kg Shipping weight: 33kg	Description: Inceiling Tens		Codice univoco: Standard	Product Code: IT274BXX
			Encumbrance: 310x18x14		Drawer: F.A.	VCode: UT-0010384.iam
			Shipping dimensions: 326x23x23		Date: 22/02/2021	Sheet: A3 Scale: 1 : 20